
GRINDING TIMES:

Your Cuisinart® Supreme Grind™ Automatic Burr Mill is fully automatic. There are 6 settings per grind type, and the grind chamber holds enough ground coffee for up to 32 cups. The unit is set for medium grind settings, which takes approximately 40 seconds to grind coffee for 12 cups, and approximately 55 seconds 18 cups.

When choosing fine settings, you may need to set the cup selector at a higher number of cups to get the desired amount of coffee, as fine grinds are very compact. The opposite is true for coarse settings. You may need to set the cup selector at a larger number of cups to get the desired amount of coffee, as coarse grinds are very loose. To determine the right grind consistencies and quantities, experiment with different grinds and coffee types to suit your taste.

CLEANING/STORAGE INSTRUCTIONS:

1. Be sure that grinder plug has been removed from outlet.
2. All removable parts are dishwasher safe on the **top rack**. Do not put parts on bottom shelf.
3. **Never immerse the grinder base unit in water or other liquid.** To clean, wipe with wet cloth and use cleaning brush to clean grind release area.
4. Store excess cord by wrapping cord around the tabs provided under the base of the unit.
5. Any other servicing of this product should be performed by an authorized service representative.

WARRANTY:

The Cuisinart® Supreme Grind™ Automatic Burr Mill carries a Limited 18-Month Warranty.

This warranty is available to consumers only. You are a consumer if you are the owner of a Cuisinart® Supreme Grind™ Automatic Burr Mill that was purchased at retail for personal, family, or household use. Except as otherwise required by applicable state law, this warranty is not available to retailers or other commercial purchasers or owners.

We warrant that should your Cuisinart® Supreme Grind™ Automatic Burr Mill prove to be defective within the warranty period, we will repair it or replace it at our option, without charge to you. To obtain warranty service, simply call our toll-free number: 800-726-0190, for additional information from our Consumer Service Representatives, or send the product to Consumer Service at Cuisinart, 150 Milford Road, East Windsor, New Jersey 08520.

To facilitate the speed and accuracy of your return, please enclose a check or money order for \$4.00 for shipping and handling. (California residents need only supply proof of purchase and should call 1-800-726-0190 for shipping instructions.)

NOTE: For added protection and secure handling of any Cuisinart® product that is being returned, we recommend you use a traceable, insured delivery service. Cuisinart cannot be held responsible for in-transit damage or for packages that are not delivered to us. Lost and/or damaged products are not covered under warranty.

© 2004 Cuisinart
Cuisinart® is a registered trademark of Cuisinart
150 Milford Road, East Windsor, NJ 08520
Printed in China.
03CU13516

G IB-4930A

Cuisinart®



Supreme Grind™ Automatic Burr Mill

DBM-8

INTRODUCTION

Whatever your taste – automatic drip, espresso, or French press – you’re about to experience a new level of taste! The Cuisinart® Supreme Grind™ Automatic Burr Mill releases the maximum flavor and aroma from your favorite whole coffee beans. Simply select a grind setting and number of cups, and with the touch of a button, the Cuisinart® Supreme Grind™ Automatic Burr Mill grinds just the right amount of coffee, then shuts off automatically. Get ready to experience the freshest, most flavorful coffee, with Cuisinart!

IMPORTANT SAFEGUARDS

When using electrical appliances, basic safety precautions should always be followed, including the following:

1. READ ALL INSTRUCTIONS.
2. To protect against risk of electrical shock, do not immerse cord, plug or grinder in water or other liquid.
3. Close supervision is necessary when any appliance is used by or near children.
4. Unplug from outlet when not in use, before putting on or taking off parts, before removing coffee and before cleaning.
5. Avoid contacting moving parts.
6. Do not operate any appliance with a damaged cord or plug, or after the appliance malfunctions, or is dropped or damaged in any manner. Return appliance to the nearest authorized Cuisinart service facility for examination, repair, or mechanical or electrical adjustment.
7. The use of attachments not recommended or sold by Cuisinart may cause fire, electrical shock, or risk of injury.
8. Do not use outdoors.
9. Do not let cord hang over edge of table or counter, or touch hot surfaces.
10. Before using, check hopper for presence of foreign objects.
11. Use this appliance to grind roasted coffee beans only. Grinding other substances, such as nuts, spices or unroasted beans, may dull the blade and cause poor grinding or injury.
12. Do not use appliance for other than intended use.
13. Do not place this appliance on or near a hot gas or electric burner, or in a heated oven.

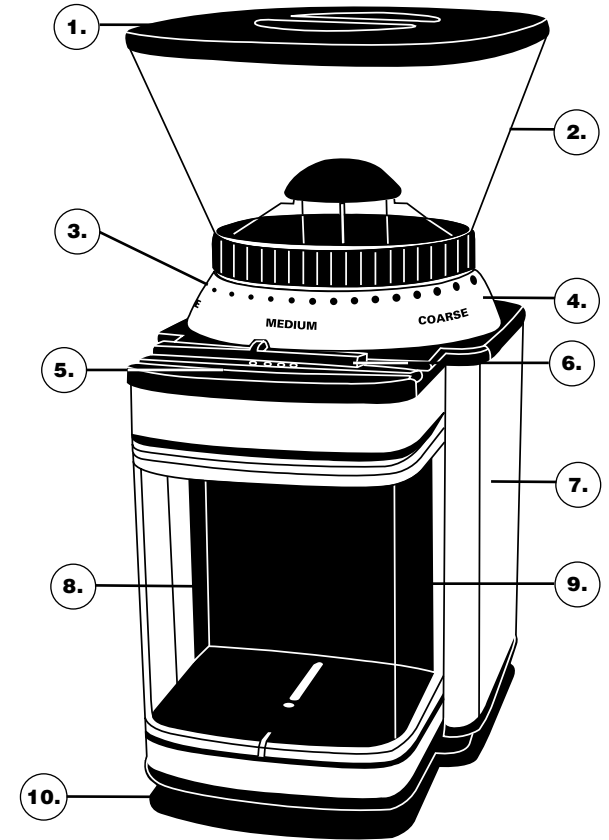
SAVE THESE INSTRUCTIONS FOR HOUSEHOLD USE ONLY

NOTICE:

This appliance has a polarized plug (one blade is wider than the other). To reduce the risk of electric shock, this plug will fit in a polarized outlet only one way. If the plug does not fit fully in the outlet, reverse the plug. If it still does not fit, contact a qualified electrician. Do not modify the plug in any way.

OPERATING INSTRUCTIONS:

1. Remove Bean Hopper lid.
2. Fill Bean Hopper to top, making sure that the lid closes securely. (Max fill is 8 ounces).
3. Plug Cord into outlet.
4. Set Grind Selector. Note: Use coarse grind for percolator/French press, medium grind for automatic drip, and fine grind for espresso.
5. Position Slide Dial to desired number of cups: 4 - 18. Take into account that, based on personal preference, you can make your coffee stronger or weaker by adjusting cup selection.
6. Press and release Power Bar to begin grinding.
Please note: A safety feature of the grinder does not allow it to operate unless the hopper and grind chamber are properly in place.
7. Grinding will automatically stop upon completion.
8. To manually stop the operation, slide the Slide Dial all the way to the left to the “OFF” position and the unit will stop. To restart, repeat steps 5 & 6 above.
9. Remove Grind Chamber, make coffee, and enjoy!



- | | |
|-------------------------------------|-----------------------------------|
| 1. Hopper Lid | 6. Slide Dial |
| 2. Bean Hopper | 7. Housing Base |
| 3. Burr Grinding Plates (not shown) | 8. Grind Chamber |
| 4. Grind Selector | 9. Grind Release Area (not shown) |
| 5. Power Bar | 10. Cord Storage |