

Cuisinart®

INSTRUCTION
BOOKLET



Classic 12-Cup Stainless Percolator

PRC-12 Series

For your safety and continued enjoyment of this product, always read the instruction book carefully before using.

IMPORTANT SAFEGUARDS

When using electrical appliances, basic safety precautions should always be followed to reduce the risk of fire, electric shock and/or injury to persons, including the following:

1. **READ ALL INSTRUCTIONS.**
2. **Always unplug from outlet when not in use and before cleaning. Allow to cool before putting on or taking off parts and before cleaning the appliance.**
3. Do not touch hot surfaces. Use handles and knobs.
4. To protect against electric shock, do not place cord, plug, or base unit in water or other liquids.
5. This appliance should not be used by children or individuals with certain disabilities.
6. Do not operate any appliance with a damaged cord or plug or after the appliance malfunctions or has been dropped or damaged in any manner. Return appliance to the nearest Cuisinart Repair Center for examination, repair, or electrical or mechanical adjustment.
7. The use of accessory attachments not recommended by Cuisinart may cause injuries.
8. Do not use outdoors.
9. Do not let cord hang over edge of table or counter, or touch hot surfaces.
10. Do not place on or near a hot gas or electric burner, or in a heated oven.
11. Always fill percolator with water first, then plug cord into the wall outlet. To disconnect, turn controls to Off, then remove plug from wall outlet.
12. Do not use appliance for other than intended use.
13. **WARNING: TO REDUCE THE RISK OF FIRE OR ELECTRIC SHOCK, DO NOT REMOVE THE BASE PANEL. NO USER-SERVICEABLE PARTS ARE INSIDE. REPAIR SHOULD BE DONE ONLY BY AUTHORIZED PERSONNEL.**
14. Scalding may occur if the lid is removed during the brewing cycle.

15. Do not operate your appliance in an appliance garage or under a wall cabinet. **When storing in an appliance garage, always unplug the unit from the electrical outlet.** Not doing so could create a risk of fire, especially if the appliance touches the walls of the garage or the door touches the unit as it closes.

SAVE THESE INSTRUCTIONS

FOR HOUSEHOLD USE ONLY

WARNING: RISK OF FIRE OR ELECTRIC SHOCK



The lightning flash with arrowhead symbol within an equilateral triangle is intended to alert the user to the presence of uninsulated dangerous voltage within the product's enclosure that may be of sufficient magnitude to constitute a risk of fire or electric shock to persons.



The exclamation point within an equilateral triangle is intended to alert the user to the presence of important operating and maintenance (servicing) instructions in the literature accompanying the appliance.

SPECIAL CORD SET INSTRUCTIONS

A short power-supply cord is provided to reduce the risks resulting from becoming entangled in or tripping over a longer cord. Extension cords may be used if care is exercised in their use.

If an extension cord is used, the marked electrical rating of the extension cord must be at least as great as the electrical rating of the appliance, and the longer cord should be arranged so that it will not drape over the countertop or tabletop where it can be pulled on by children or tripped over.

OPERATING NOTICE

Clogging and backing up of water and/or coffee in the coffee basket can occur under any or a combination of any of the following conditions: The use of too finely ground coffee or not properly cleaning coffee grounds from the gold-tone filter, or allowing coffee grounds to spill over the coffee basket.

Caution: Never open the top cover during the brewing cycle, even if no water is draining from the coffee basket, since extremely hot water/coffee can spill out from the coffee basket and cause injury. If water/coffee is not draining from the coffee basket during the brewing cycle, unplug the unit and wait 10 minutes before opening the top cover and checking the coffee basket.

CONTENTS

Important Safeguards	1
Unpacking Instructions	2
Features and Benefits	3
Using the Percolator.	4
Cleaning and Maintenance	5
Warranty	6

IMPORTANT UNPACKING INSTRUCTIONS

1. Place the box on a large, sturdy, flat surface.
2. Remove the instruction book and any other literature.
3. Turn the box so that the back side of the percolator is down and slide the percolator from the box.
4. After the percolator has been removed, place the box out of the way and take the pulp inserts away.
5. Remove the polybag covering the percolator.

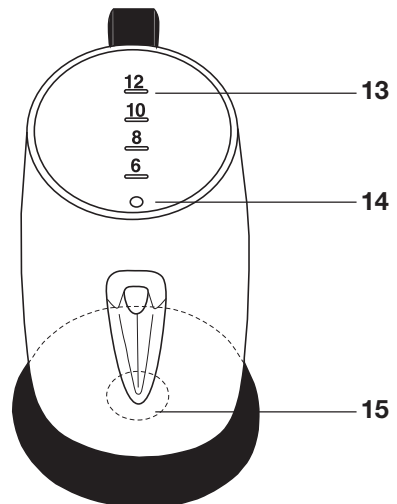
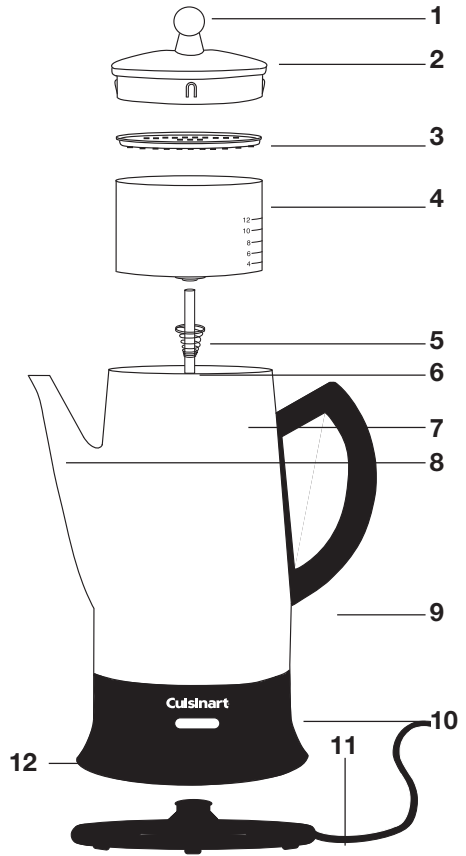
We suggest you save all packing materials in the event that future shipping of the machine is needed. Keep all plastic bags away from children.



FEATURES AND BENEFITS

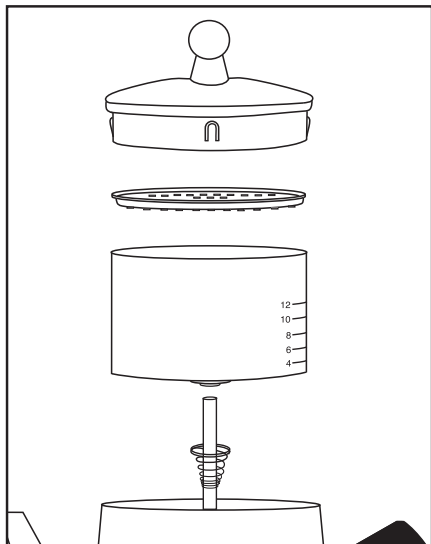
The Cuisinart® Classic 12-Cup Percolator has been designed to increase the pleasure of enjoying a perfectly percolated cup of coffee.

- 1. Transparent Percolator Knob**
Allows you to see the percolating process.
- 2. Stainless Steel Cover**
Lock-down cover ensures safe pouring.
- 3. Coffee Basket Lid**
- 4. Coffee Basket**
Holds ground coffee for up to 12 cups of coffee. Convenient measurement markings take away the guesswork.
- 5. Spring**
- 6. Pump Tube**
Delivers water automatically from the carafe to the basket.
- 7. Stainless Steel Body**
Holds from 4 to 12 cups of coffee.
- 8. Tapered Spout**
For no-mess, dripless pouring.
- 9. Comfort-Grip Handle**
Ergonomically designed for easy pouring.
- 10. Stay-Cool Base**
Prevents heat damage to tables and counters. Eliminates the need for a trivet or other surface protector.
- 11. Removable Power Cord**
For convenient pouring and serving, the power cord is removable from unit.
- 12. Indicator Light**
Illuminates to indicate that the brewing cycle is complete.
- 13. Water Level Markings**
- 14. 4-Cup Water Level Mark**
- 15. Well**



USING THE PERCOLATOR

1. Before using for the first time, thoroughly wash all parts of the percolator. (See the Cleaning and Maintenance section of this booklet.)
2. Remove cover, basket, lid and pump tube with spring. Using the measurement markings (located inside the body) fill the percolator with the desired amount of water. For best results, be sure to use cold water when filling the percolator. When preparing 4 cups, use the small circular marking as the 4-cup level mark.



3. Run cold water over the coffee basket. Place basket on top of pump tube. Add desired amount of coffee according to level markings on basket. To help keep small coffee grounds from sifting through the holes in the basket, be certain to use a grind designed for percolator coffee, or use a coarse grind. Finer grinds may sift through the holes.
4. Place basket and pump tube assembly into percolator so bottom of tube fits into well. Place basket cover on top of basket and push cover onto top of percolator.
5. Plug base into standard household 120 volt AC wall outlet. Brewing begins within seconds, and continues at a rate of approximately one cup per minute.

The following chart serves as a guide for preparing various brew strengths. Amounts can be varied to suit personal taste and particular coffees.

Brew Strength of Coffee/ Number of Coffee Measures*			
#Cups	Mild	Medium	Strong
12	12	16	20
10	10	14	18
8	8	12	16
6	6	8	12
4	4	6	8

*1 coffee measure = 1 level tablespoon

6. Once brewing cycle is complete, indicator light will illuminate to signal your coffee is ready.

Warning: Be certain the percolating process has stopped completely before removing cover.

7. Once brewing has completed, remove the cover carefully and using a mitt or potholder, remove the basket and pump tube.

Caution: do not touch the stainless steel parts of the percolator, as they will be hot. Replace cover so it snaps into place. You are now ready to enjoy a flavorful cup of coffee.

8. Remove plug from percolator for easy serving. Replace plug to keep coffee hot.

CLEANING AND MAINTENANCE

Always remove the plug from the electrical outlet before attempting to clean the percolator.

The percolator cover, basket, lid, and pump tube (with spring) can all be placed in the upper rack of a dishwasher or washed in warm soapy water and rinsed thoroughly.

Never wash percolator body or power cord in dishwasher.

Never immerse the percolator body in water or other liquids. To clean, simply wipe with a clean, damp cloth and dry before storing.

Do not use scouring agents or harsh cleaners on any part of the percolator.

Note: Washer at bottom of pump tube must move freely. Should coffee grounds become trapped near the washer, loosen with a toothpick, then run under tap water to clean.

Storage: Percolator should be stored with cover off.

Maintenance: Any other servicing should be performed by an authorized service representative.

DECALCIFICATION

Decalcification refers to removing the calcium deposits that form on the metal parts of the percolator over time.

For best performance from your percolator, decalcify the unit from time to time. The frequency depends upon the hardness of your tap water and how often you use the percolator. Decalcification will clean the interior of the unit.

To Decalcify, fill percolator with vinegar to the 3 cup level then add water to the 12 cup level. Combined mixture should not exceed 12 cups. Be sure that all parts are in place, and make sure that the lid is securely on. Plug the power cord connector into the cord insert and plug the unit into an electrical outlet. Let the unit run through its normal cycle. Once complete, discard the vinegar and water mixture .

Run one cycle of fresh, cold water (without vinegar) through the unit at the completion of decalcification before using the unit to brew coffee.

LIMITED THREE-YEAR WARRANTY (U.S. and Canada Only)

This warranty is available to consumers only. You are a consumer if you own a Cuisinart® 12-Cup Classic Percolator that was purchased at retail for personal, family or household use. Except as otherwise required under applicable law, this warranty is not available to retailers or other commercial purchasers or owners.

We warrant that your Cuisinart® 12-Cup Classic Percolator will be free of defects in materials and workmanship under normal home use for 3 years from the date of original purchase.

We recommend that you visit our website, www.cuisinart.com for a fast, efficient way to complete your product registration. However, product registration does not eliminate the need for the consumer to maintain the original proof of purchase in order to obtain the warranty benefits. In the event that you do not have proof of purchase date, the purchase date for purposes of this warranty will be the date of manufacture.

If your Cuisinart® 12-Cup Classic Percolator should prove to be defective within the warranty period, we will repair it, or if we think necessary, replace it. To obtain warranty service, simply call our toll-free number, 1-800-726-0190, for additional information from our Customer Service Representatives, or send the defective product to Customer Service at Cuisinart, 7475 North Glen Harbor Blvd., Glendale, AZ 85307.

To facilitate the speed and accuracy of your return, please enclose \$10.00 for shipping and handling of the product.

Please pay by check or money order (California residents need only supply proof of purchase and should call 1-800-726-0190 for shipping instructions).

NOTE: For added protection and secure handling of any Cuisinart product that is being returned, we recommend you use a traceable, insured delivery service. Cuisinart cannot be held responsible for in-transit damage or for packages that are not delivered to us. Lost and/or damaged products are not covered under warranty. Please be sure to include your return address, daytime phone number, description of the product defect, product model number (located on bottom of product), original date of purchase, and any other information pertinent to the product's return.

CALIFORNIA RESIDENTS ONLY:

California law provides that for In-Warranty Service, California residents have the option of returning a nonconforming product (A) to the store where it was purchased or (B) to another retail store that sells Cuisinart products of the same type.

The retail store shall then, at its discretion, either repair the product, refer the consumer to an independent repair facility, replace the product, or refund the purchase price less the amount directly attributable to the consumer's prior usage of the product. If the above two options do not result in the appropriate relief to the consumer, the consumer may then take the product to an independent repair facility if service or repair can be economically accomplished. Cuisinart and not the consumer will be responsible for the reasonable

cost of such service, repair, replacement, or refund for non-conforming products under warranty.

California residents may also, according to their preference, return nonconforming products directly to Cuisinart for repair, or if necessary, replacement, by calling our Consumer Service Center toll-free at 1-800-726-0190.

Cuisinart will be responsible for the cost of the repair, replacement, and shipping and handling for such products under warranty.

BEFORE RETURNING YOUR CUISINART PRODUCT

If you are experiencing problems with your Cuisinart product, we suggest that you call our Consumer Service Center at 1-800-726-0190 before returning the product to be serviced. If servicing is needed, a representative can confirm whether the product is under warranty and direct you to the nearest service location.

Important: If the nonconforming product is to be serviced by someone other than Cuisinart's Authorized Service Center, please remind the servicer to call our Consumer Service Center at 1-800-726-0190 to ensure that the problem is properly diagnosed, the product serviced with the correct parts, and the product is still under warranty.

Your Cuisinart® 12-Cup Percolator has been manufactured to the strictest specifications and has been designed for use only in 120 volt outlets and only with authorized accessories and replacement parts. This warranty expressly excludes any defects or damages caused by attempted use of this unit with a converter, as well as use with accessories, replacement parts or repair service other than those authorized by Cuisinart. This warranty does not cover any damage caused by accident, misuse, shipment or other than ordinary household use. This warranty excludes all incidental or consequential damages. Some states do not allow the exclusion or limitation of these damages, so these exclusions may not apply to you. You may also have other rights, which vary from state to state.

©2015 Cuisinart
150 Milford Road
East Windsor, NJ 08520

Printed in China
www.cuisinart.com

15CE016424

Other trademarks or service marks referred to herein are the trademarks or service marks of their respective owners.

F IB-6072-ESP

Todas marcas registradas o marcas de comercio mencionadas aquí pertenecen a sus titulares respectivos.

F IB-6072-ESP

15CE016424

Impreso en China
www.cuisinart.com

©2015 Cuisinart
150 Millford Road
East Windsor, NJ 08520

GARANTÍA LIMITADA DE TRES AÑOS (VÁLIDA EN LOS EE.UU. Y EN CANADÁ SOLAMENTE)

servicio, reparación, reemplazo o reembolso de los productos defectuosos durante el período de garantía.

Los residentes de California también pueden, si lo desean, mandar el aparato defectuoso directamente a Cuisinart para que lo reparen o lo cambien. Para esto, se debe llamar a Cuisinart® para nuestro servicio posventa al 1-800-800-726-0190. Cuisinart será responsable por los gastos de reparación, reemplazo, manejo y envío de los productos defectuosos durante el período de garantía.

ANTES DE HACER REPARAR SU APARATO

Si su aparato tiene algún problema, le recomendamos que llame a nuestro servicio posventa al 1-800-726-0190 antes de regresar a Cuisinart. Un representante le confirmará si su aparato sigue bajo garantía y le indicará la dirección del centro de servicio más cercano.

Importante: si debe llevar el aparato defectuoso a un centro de servicio no autorizado, por favor informe al personal del centro de servicio que deberían llamar al servicio posventa de Cuisinart al 1-800-726-0190 a fin de diagnosticar el problema correctamente, usar las piezas correctas para repararlo y asegurarse de que el producto esté bajo garantía.

Este aparato satisface las más altas exigencias de fabricación y ha sido diseñado para uso sobre corriente de 120V, usando accesorios y piezas de repuesto autorizados solamente. Esta garantía excluye expresamente los daños causados por accesorios y piezas o reparaciones no autorizadas por Cuisinart®, así como los daños causados por el uso de un convertidor de voltaje. Esta garantía no cubre el uso institucional o comercial del producto, y no es válida en caso de daños causados por mal uso, negligencia o accidente. Esta garantía excluye expresamente todos los daños incidentales o consecuentes. Algunos Estados no permiten la exclusión o limitación de daños incidentales o consecuentes, por lo que las limitaciones mencionadas pueden no regir para usted. Usted puede tener otros derechos que varían de un Estado a otro.

Esta garantía es para los consumidores solamente. Usted es un consumidor si ha comprado su aparato Cuisinart® en una tienda, para uso personal o casero. A excepción de los detallistas u otros comerciales.

Cuisinart garantiza este aparato contra todo defecto de materiales o fabricación durante 3 años después de la fecha de compra original, siempre que el aparato haya sido utilizado para uso doméstico y según las instrucciones.

Le aconsejamos que llene el formulario de registro disponible en www.cuisinart.com a fin de facilitar la verificación de la fecha de compra original. Sin embargo, registrar el producto no es necesario para recibir servicio bajo esta garantía. En calculado a partir de la fecha de fabricación.

Si este aparato presentara algún defecto de materiales o fabricación durante el período de garantía, la repararemos o reemplazaremos (a nuestra opción). Para obtener servicio bajo esta garantía, llame a nuestra línea directa gratuita al 1-800-726-0190 o regrese el aparato defectuoso a: Cuisinart, Service Department, 7475 North Glen Harbor Blvd., Glendale, AZ 85307.

Regrese el aparato defectuoso, junto con su recibo de compra y un cheque o giro postal de US\$10.00 por gastos de manejo y envío. Los residentes de California sólo necesitan dar una prueba de compra y deben llamar al 1-800-726-0190 para recibir instrucciones de envío. NOTA: para más seguridad, le aconsejamos que mande su paquete por un método de entrega con seguro y seguimiento. Cuisinart no será responsable por los daños ocurridos durante el transporte o por los paquetes mandados a una dirección equivocada. Los productos perdidos y/o lastimados durante el envío no serán cubiertos bajo esta garantía. Recuerde incluir su nombre, dirección y teléfono, la descripción del problema, así como cualquier información pertinente.

RESIDENTES DE CALIFORNIA SOLAMENTE

La ley del estado de California ofrece dos opciones bajo el período de garantía. Los residentes del estado de California pueden (A) regresar el producto defectuoso a la tienda donde lo compraron o (B) a otra tienda que venda productos Cuisinart® de este tipo.

La tienda, a su opción, reparará el producto, referirá al consumidor a un centro de servicio independiente, cambiará el producto o reembolsará al consumidor por el precio original del producto, menos la cantidad imputable al uso del producto por el consumidor hasta que este se dañe. Si estas dos opciones no satisfacen al consumidor, podrá llevar el producto a un centro de servicio independiente, siempre que se pueda ajustar o reparar el producto de manera económica. Cuisinart será responsable por los gastos de

ELIMINACIÓN DEL SARRO

Depósitos de sarro pueden acumularse sobre las piezas metálicas internas del aparato.

Para lograr un desempeño óptimo, deberá limpiar

el sarro regularmente. La frecuencia de la limpieza

dependerá de la dureza del agua y de la frecuencia

de uso de la percoladora. Eliminar el sarro limpiará el

interior de la percoladora.

Para eliminar el sarro, llene la percoladora con 3 tazas

(435 ml) de vinagre blanco y agregue agua hasta la línea

para 12 tazas (1.75 L). No exceda 12 tazas (1.75 L).

Cerchiórese que todas las piezas están instaladas y que

la tapa está puesta. Conecte el cable a una toma

de preparación. Deje que la unidad llave a cabo un ciclo

de preparación. Al final del ciclo, tire la mezcla de

vinagre/agua.

Repita estos pasos con agua fresca (sin vinagre)

para enjuagar.

MANTENIMIENTO

Siempre desconecte el aparato antes de limpiarlo.

Lave la tapa, el filtro, la tapa del filtro y el tubo de bombeo

(con el resorte) en agua jabonosa tibia o en el lavavajillas

(nivel superior solamente). Enjuague bien todas las piezas.

Nunca meta la percoladora ni el cable al lavavajillas.

Nunca sumerja la percoladora en agua u otro líquido. Limpie

el cuerpo con un paño húmedo y séquelo antes de guardar

el aparato.

No utilice productos o materiales abrasivos para limpiar

el aparato.

Nota: la arandela al pie del tubo de bombeo debe moverse

libremente. Si posos de café quedan atrapados cerca de la

arandela, sútelos con un pañillo y lave el tubo/la arandela

con agua corriente.

Almacenaje: siempre retire la tapa de la percoladora antes

de guardarlo.

Mantenimiento: cualquier otro servicio debe ser realizado

por un técnico autorizado.

INSTRUCCIONES DE USO

La tabla a continuación le indica cuántas cucharadas de café en polvo usar según la cantidad de café y la fuerza de café deseada. Ajuste la cantidad a gusto, dependiendo de sus preferencias personales.

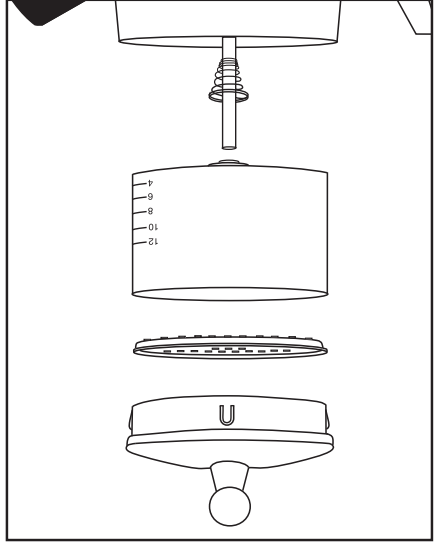
Cantidad de café* según la fuerza del café			
Tazas	Ligero	Normal	Fuerte
4 (580ml)	4	6	8
6 (870ml)	6	8	12
8 (1.20l)	8	12	16
10 (1.45l)	10	14	18
12 (1.75l)	12	16	20

*Cantidades de café dadas en cucharadas

6. Al final del ciclo de preparación, el indicador luminoso se encenderá, lo que indica que el café está listo.
Advertencia: no abra la tapa de la percoladora antes del final del ciclo de preparación.
 7. Abra la tapa y retire cuidadosamente el filtro y el tubo de bombeo, usando agarraderas/manoplas/guantes para el horno.
Precaución: no toque las partes de acero inoxidable de la tapa. Ahora está listo/a para disfrutar de una sabrosa taza de café.

8. Para servir fácilmente, desconecte el cable de la percoladora. Vuelva a conectar el cable para mantener el café caliente.

1. Lave todas las piezas antes del primer uso (véase la sección "Limpieza y mantenimiento").
 2. Retire la tapa, el filtro, la tapa del filtro y el tubo de bombeo (con el resorte). Llene la percoladora con la cantidad deseada de agua, usando las graduaciones dentro de la percoladora como guía. Para mejores resultados, utilice agua fría. Nota: para preparar solamente 4 tazas (580 ml) de café, llene la percoladora con agua hasta la marca redonda.

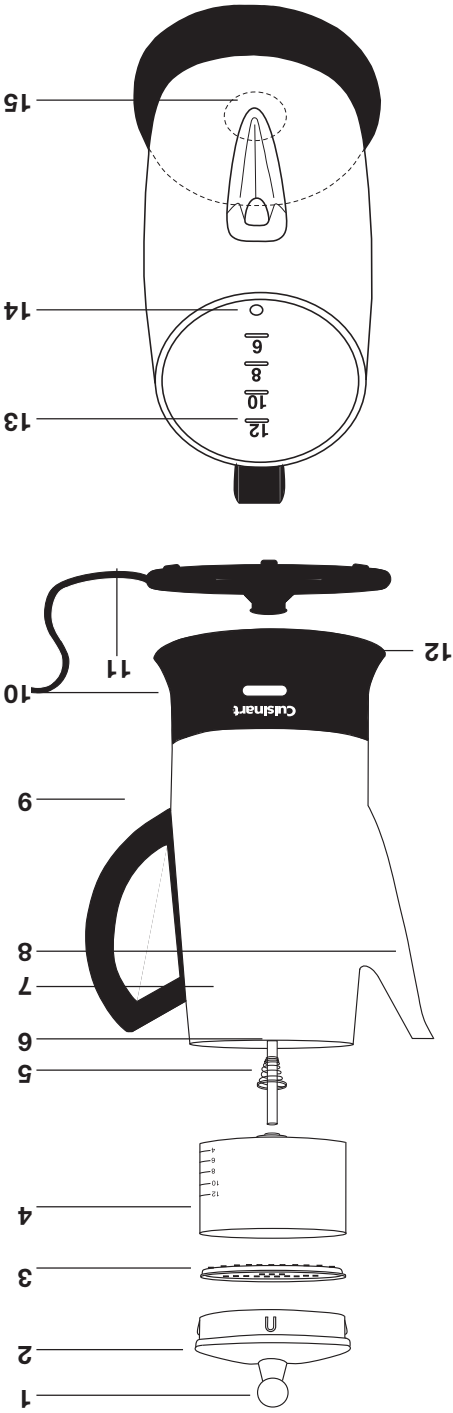


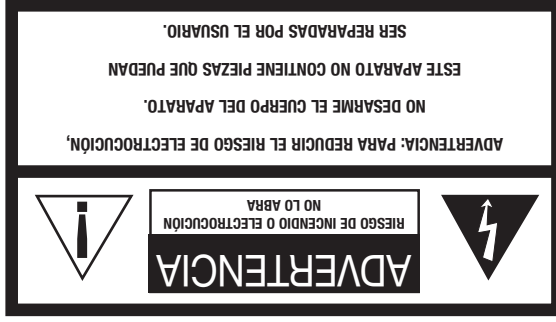
3. Enjuague el filtro con agua fría. Instale el filtro encima del tubo de bombeo. Agregue la cantidad deseada de café molido, usando las graduaciones sobre el filtro como guía. Nota: le recomendamos que use una mollienda gruesa para evitar que el café se meta en los orificios del filtro. Usar café molido muy fino puede atascar el filtro.
 4. Regrese el filtro y el tubo de bombeo en la percoladora, introduciendo el tubo en la entrada del depósito interno. Coloque la tapa del filtro sobre el mismo y cierre la tapa del percolador.
 5. Conecte el cable a una toma de corriente de 120V. El ciclo de preparación empezará dentro de segundos y continuará a un ritmo de 1 taza (145 ml) por minuto.

PIEZAS Y CARACTERÍSTICAS

La cafetera percoladora clásica de 12 tazas (1.75 L) Cuisinart® ha sido diseñada para maximizar su experiencia al disfrutar de una taza de café tradicional preparado a la perfección.

1. **Pomo transparente**
Permite vigilar el proceso de preparación.
2. **Tapa de acero inoxidable**
Con sistema de bloqueo, para servir el café de manera segura.
3. **Tapa del filtro**
4. **Filtro permanente**
Con capacidad para suficiente café molido como para preparar 12 tazas (1.75 L) de café. Graduaciones permiten añadir la cantidad precisa de café.
5. **Resorte**
Lleva automáticamente el agua del depósito al filtro.
6. **Tubo de bombeo**
Con capacidad para 4–12 tazas (580 ml a 1.75 L) de café.
7. **Cuerpo de acero inoxidable**
Diseño antigoteo que permite servir sin ensuciar.
8. **Pico vertedor estrecho**
Diseño ergonómico, para servir fácilmente.
9. **Cómoda asa**
Protege las mesas/encimeras. Elimina la necesidad de usar un salvamante u otro tipo de protector de superficies.
10. **Base aislante**
Para máxima comodidad a la hora de servir el café.
11. **Cable removible**
12. **Indicador luminoso**
Se enciende al final del ciclo de preparación.
13. **Indicador del nivel de agua**
14. **Marca para 4 tazas (580 ml)**
15. **Depósito interno**





1. Ponga la caja sobre una superficie espaciosa, plana y segura.
 2. Retire el manual de instrucciones y otros folletos de la caja.
 3. Voltee la caja para que repose en su lado y saque la percoladora.
 4. Aleje la caja y retire las piezas de cartón.
 5. Quite la bolsa protectora que envuelve la percoladora.
- Le aconsejamos que conserve el material de embalaje. Mantenga las bolsas de plástico fuera del alcance de los niños.

INDICE DE DESEMBALAJE IMPORTANTES

Medidas de seguridad importantes.....	1
Instrucciones de desembalaje.....	2
Piezas y características.....	3
Instrucciones de uso.....	4
Limpieza y mantenimiento.....	5
Garantía.....	6

INDICE

Ciertas condiciones pueden producir un atascamiento del agua y/o del café en el filtro y provocar un derrame. Para evitar que esto ocurra, no mueva el café demasado fino, limpie cuidadosamente el filtro dorado, y no sobrellene el filtro.

Precaución: nunca abra la tapa durante la preparación, aunque líquido no esté bajando; agua o café muy caliente podrían salir del pico y causar quemaduras. Si el agua/café no escurrete debidamente durante la preparación, desenchufe el aparato y espere 10 minutos antes de abrir la tapa y examinar el filtro.

IMPORTANTE

El cable provisto con este aparato es corto, para reducir el peligro de que alguien se enganche o tropiece con un cable más largo. Puede usarse una extensión eléctrica con cuidado. La clasificación nominal de la extensión debe ser por lo menos igual a la del aparato. Es importante acomodar el cable más largo de manera que no cuegue de la encimera/mesa donde puede ser jalado por niños o puede causar tropiezos.

USO DE EXTENSIONES

MEDIDAS DE SEGURIDAD IMPORTANTES

Al usar aparatos eléctricos, siempre debe tomar precauciones básicas de seguridad para reducir el riesgo de incendio, electrocución o heridas, incluso las siguientes:

1. **LEA TODAS LAS INSTRUCCIONES.**
2. **Siempre desconecte el aparato cuando no esté en uso y antes de limpiarlo. Permita que se enfríe antes de instalar/sacar piezas y antes de limpiarlo.**
3. No toque las superficies calientes; utilice el mango y los botones o perillas.
4. Para reducir el riesgo de electrocución, no sumerja el cable, la clavija o el cuerpo del aparato en agua u otro líquido.
5. Este aparato no debe ser usado por niños o personas con alguna discapacidad.
6. No utilice este aparato si el cable o la clavija estuviesen dañados, después de que hubiese funcionado mal o que se hubiese calentado, o si estuviese dañado; **regreselo a un centro de servicio autorizado para su revisión, reparación o ajuste.**
7. El uso de accesorios/aditamentos no recomendados por Cuisinart puede provocar heridas.
8. No lo utilice en exteriores.
9. No permita que el cable cuelgue del borde de la encimera o de la mesa, ni que haga contacto con superficies calientes.
10. No coloque el aparato sobre o cerca de un quemador a gas o una hornilla eléctrica caliente, ni en un horno caliente.
11. Siempre llene la percoladora con agua antes de conectar el cable a la toma de corriente. Siempre apague el aparato (OFF) antes de desconectarlo.
12. No utilice el aparato para ningún otro fin que no sea el indicado.
13. **ADVERTENCIA: PARA REDUCIR EL RIESGO DE INCENDIO O ELECTROCUCIÓN, NO DESARME EL CUERPO DEL APARATO. ESTE APARATO NO CONTIENE PIEZAS QUE PUEDAN SER REPARADAS POR EL USUARIO. LAS REPARACIONES DEBEN SER REALIZADAS POR UN TÉCNICO AUTORIZADO.**
14. Para evitar las quemaduras, no retire la tapa durante el funcionamiento.

GUARDE ESTAS INSTRUCCIONES PARA USO DOMÉSTICO SOLAMENTE

ADVERTENCIA: RIESGO DE INCENDIO O ELECTROCUCIÓN



El símbolo representado por un relámpago con punta de flecha dentro de un triángulo equilátero tiene como fin alertar al usuario de la presencia de voltajes peligrosos no aislados en el interior del aparato, los cuales pueden ser de suficiente magnitud para constituir un riesgo de incendio o electrocución.



El signo de exclamación dentro de un triángulo equilátero tiene como fin alertar al usuario de la presencia de instrucciones importantes de operación y mantenimiento (servicio) en la documentación que acompaña al equipo.

15. No haga funcionar el aparato debajo de un armario/gabinete. **Siempre desconecte el aparato antes de guardarlo en un armario/gabinete.** Dejar el aparato conectado presenta un riesgo de incendio, especialmente si este toca las paredes o la puerta del armario/gabinete/gabinete cuando cierra.

PRC-12 Series

Cafetera percoladora clásica de acero inoxidable de 12 tazas (1.75 L)



Cuisinart[®]
MANUAL DE INSTRUCCIONES

Version no.: PRC12 IB-6072-ESP
 IB Size: 148 mm(W) x 210 mm(H)
 Die Cut: new
 Material: 105gsm gloss art paper for whole book
 Coating: gloss varnishing in cover
 Colors(Cover): 4C+1C(BLACK)
 (Inside): 1C+1C(BLACK)
 Date: SEP/01/2015 Co-ordinator: Astor You / Linda Ouyang
 Revise Ver. F_PRC12 IB-6072-ESP (0.0) Operator: LIAO

宝发柯式印刷有限公司
 Tel: 0769-87720314 87886328 Fax: 0769-87720324
 E-MAIL: pofatprepress@pofat.com

